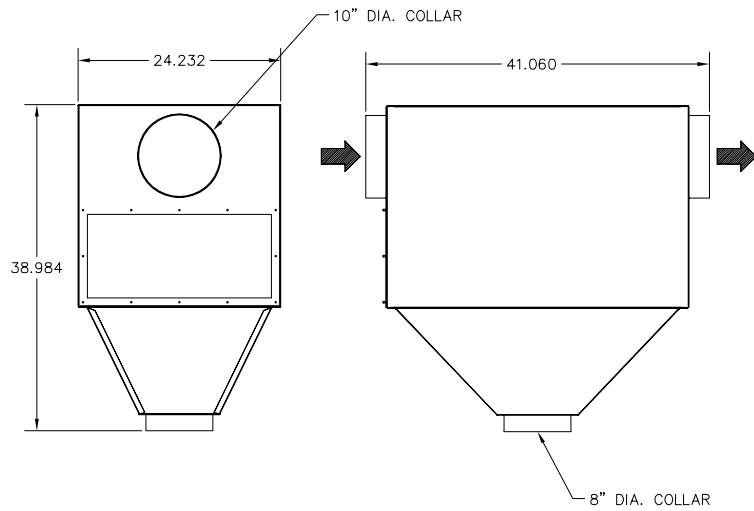


DWG. NO.:
L1683

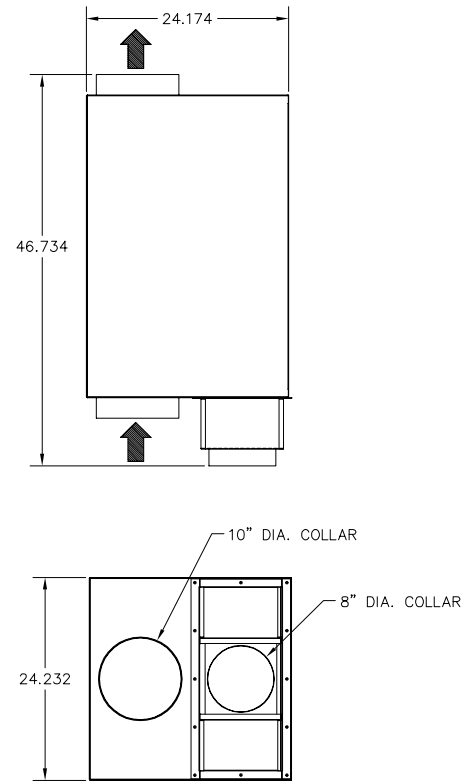
REV.
B

REVISIONS

B 12-31-03 KWC
(ECR 7341)



SA2000H



SA2000V

NOTES:
USE PROPER AIRFLOW DIRECTION AS
INDICATED BY ARROWS.
DO NOT EXCEED 2,000CFM.

TITLE SA2000		TOLERANCES UNLESS OTHERWISE NOTED 2 DEC. PLACE: +/- .06 3 DEC. PLACE: +/- .031 SCALE: 3/64=1 ANGLS: 3/16"		MICRO AIR AIRCLEANERS WICHITA, KS, 67201	
DWN BY: TT	DATE: 7-27-99	CHKD BY: SS	DIR: 11	SH. 1 OF 1	DWG. NO.: L1683
					REV.: B