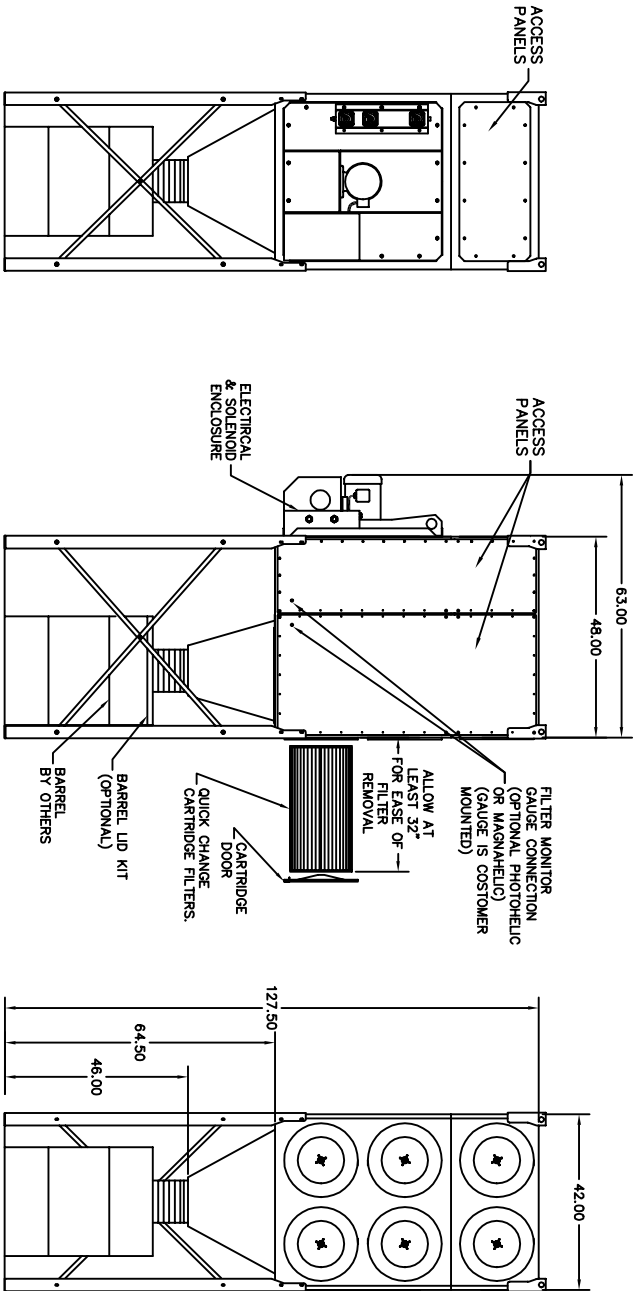


SPECIFICATIONS
 TOTAL VALVES 2
 TOTAL CARTRIDGES 4
 COMPRESSED AIR 1.0 SCF @ 90 psi per sec.

- NOTES
- 1.) 5HP 460V TEFC MOTOR
 - 2.) UNITS MUST BE ATTACHED TO IN-PLANT COMPRESSED AIR SUPPLY FOR CLEANING MECHANISM TO FUNCTION (90 MAX. psig CLEAN DRY AIR)
 - 3.) VALVES AND CONTROL TIMER SYSTEM OPERATE ON 120V, 50-HZ. POWER.
 - 4.) WELDED STEEL CONSTRUCTION OF 12 GA. MILD STEEL. ENCLOSURE FOR RPO UNITS ONLY.
 - 5.) SOLID STATE PULSE CONTROL TIMER IN NEMA 4
 - 6.) PAINTED INSIDE & OUT CRIMSON RED.
 - 7.) INLET PLENUM INCLUDED.
 - 8.) SUPPER BOND POLYESTER CARTRIDGES.
 - 9.) MAGNETIC GAUGE.
 - 10.) EXPLOSION VENT SUPPLIED.
 - 11.) BARREL LIT KIT.
 - 12.) MOTOR STARTER, OVERLOAD PROTECTOR AND START/STOP SWITCH (SUPPLIED BY OTHERS).

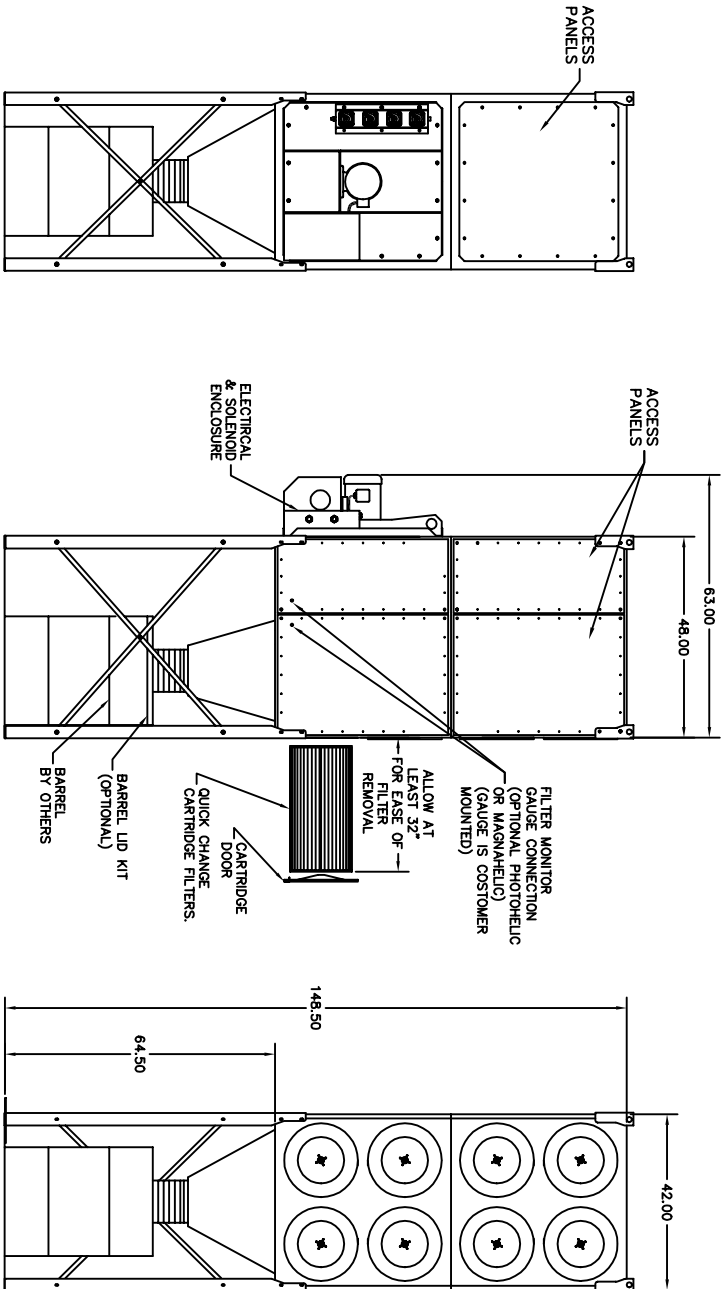
TITLE		TOLERANCES UNLESS OTHERWISE NOTED	
RP4 DETAIL		3 DEC. PLACES UNLESS OTHERWISE NOTED	
DWG. BY	DATE	CHG. BY	DATE
MC	1-9-98	JU	11
SCALE		SH. 1 OF 3	
1:3=10			
NEW ORLEANS, LA 70118		NEW ORLEANS, LA 70118	
DWG. NO. L1573		REV. 2	



- NOTES**
- 1.) CONSULT MANUFACTURER REPRESENTATIVE FOR MOTOR BLOWER SPECIFICATIONS.
 - 2.) UNITS MUST BE ATTACHED TO IN-PLANT COMPRESSED AIR SUPPLY FOR CLEANING MECHANISM TO FUNCTION (90 MAX PSIG CLEAN DRY AIR)
 - 3.) VALVES AND CONTROL TIMER SYSTEM OPERATE ON 120V, 50-HZ, POWER.
 - 4.) WELDED STEEL CONSTRUCTION OF 12 GA. MILD STEEL.
 - 5.) SOLID STATE PULSE CONTROL TIMER IN NEMA 4 ENCLOSURE FOR RP6 UNITS ONLY.
 - 6.) PAINTED INSIDE & OUT CRIMSON RED.

SPECIFICATIONS
 TOTAL VALVES 3
 TOTAL CARTRIDGES 6
 COMPRESSED AIR 1.0 SCF @ 90 psi per sec.

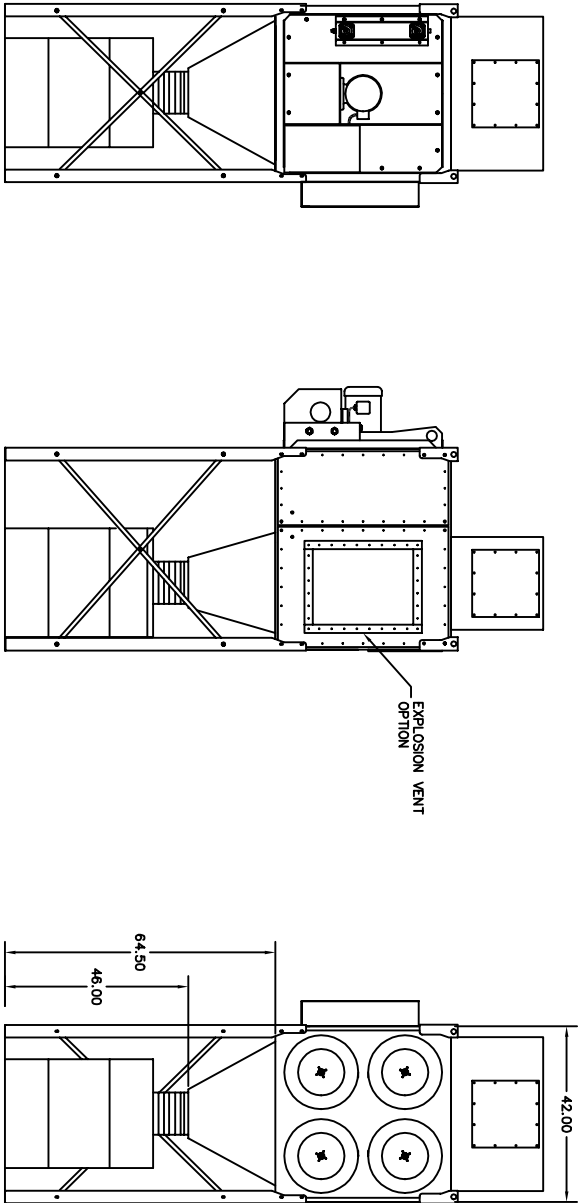
TITLE		TOLERANCES UNLESS NOTED	
RP6 DETAIL		3 DECIMALS	
DATE: 1-5-98	DRW: M.C.	SCALE: 1/2" = 1'-0"	BY: M.C.
CHG: 01	NO: 11	SH: 2	OF: 3
DMC INC. 1573			



- NOTES
- 1.) CONSULT MANUFACTURER REPRESENTATIVE FOR MOTOR BLOWER SPECIFICATIONS.
 - 2.) UNITS MUST BE ATTACHED TO IN-PLANT COMPRESSED AIR SUPPLY FOR CLEANING MECHANISM TO FUNCTION (90 MAX psig CLEAN DRY AIR)
 - 3.) VALVES AND CONTROL TIMER SYSTEM OPERATE ON 120V, 50-HZ, POWER.
 - 4.) WELDED STEEL CONSTRUCTION OF 12 GA. MILD STEEL.
 - 5.) SOLID STATE PULSE CONTROL TIMER IN NEMA 4 ENCLOSURE FOR RPO UNITS ONLY.
 - 6.) PAINTED INSIDE & OUT CRIMSON RED.

SPECIFICATIONS
 TOTAL VALVES 4
 TOTAL CARTRIDGES 8
 COMPRESSED AIR 1.0 SCF @ 90 psi per sec.

TITLE		TOLERANCES UNLESS NOTED	
RP8 DETAIL		3 DECIMALS	
DWG. NO. 1573	DATE 5-98	SCALE 1/8" = 1"	3RD PRY. DATE 11
M.C.	J.D.	1/3" = 10'	SH. 3 OF 3
MATERIAL		FOR DIMENSIONS, SEE DRAWING	
REV. 2		DWC. NO. 1573	



NOTES
 1.) RP. OPTIONAL EXPLOSION VENT ASSY.
 NOTE: VENT CAN BE LOCATED EITHER SIDE

TITLE		TOLERANCES UNLESS	
RP4 DETAIL W/EXPLOSION VENT		3 DECIMALS UNLESS OTHERWISE NOTED 3 DEC. PLACE UNLESS NOTED	
DWG. NO. 1573	DATE 11-13-98	SCALE 1:1	DATE 11-13-98
DESIGNER MC	CHECKED BY JG	SCALE 1:1	DATE 11-13-98
DRAWN BY MC		DATE 11-13-98	
DWC. INC. 1573		SH. 4 OF 4	

